

# Masport<sup>®</sup> Heating

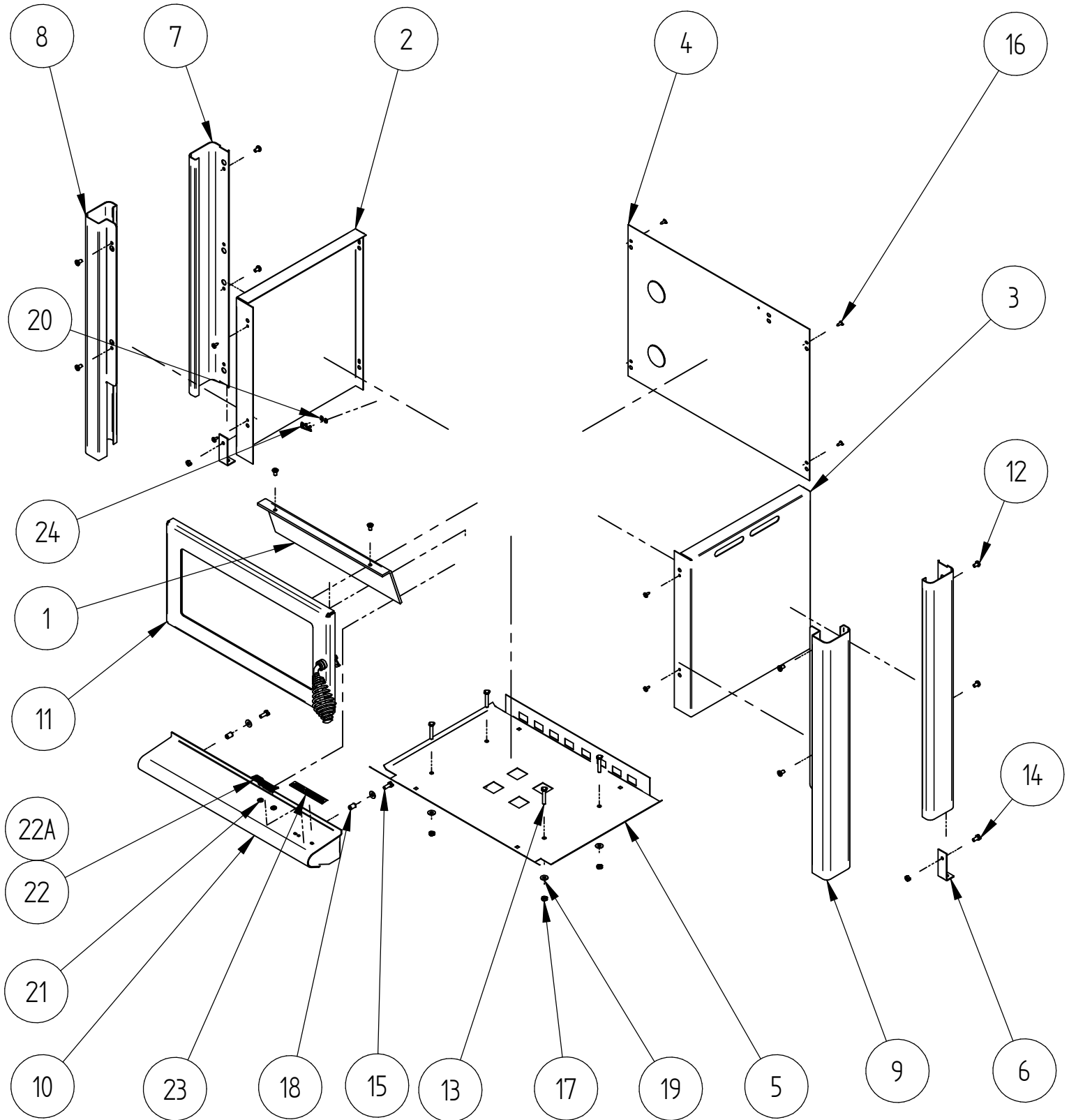
## FREESTANDING WOOD FIRES

### MINOS CLEAN AIR - AUSTRALIA

Item No.	MARKET	FUEL TYPE	FINISH	YEAR	FAN
MIRHWBK	AU	HARDWOOD	Matt Black VHT Paint	DEC-2007	No
992912				APR-2011	



# PANELS, DOOR AND PEDESTAL

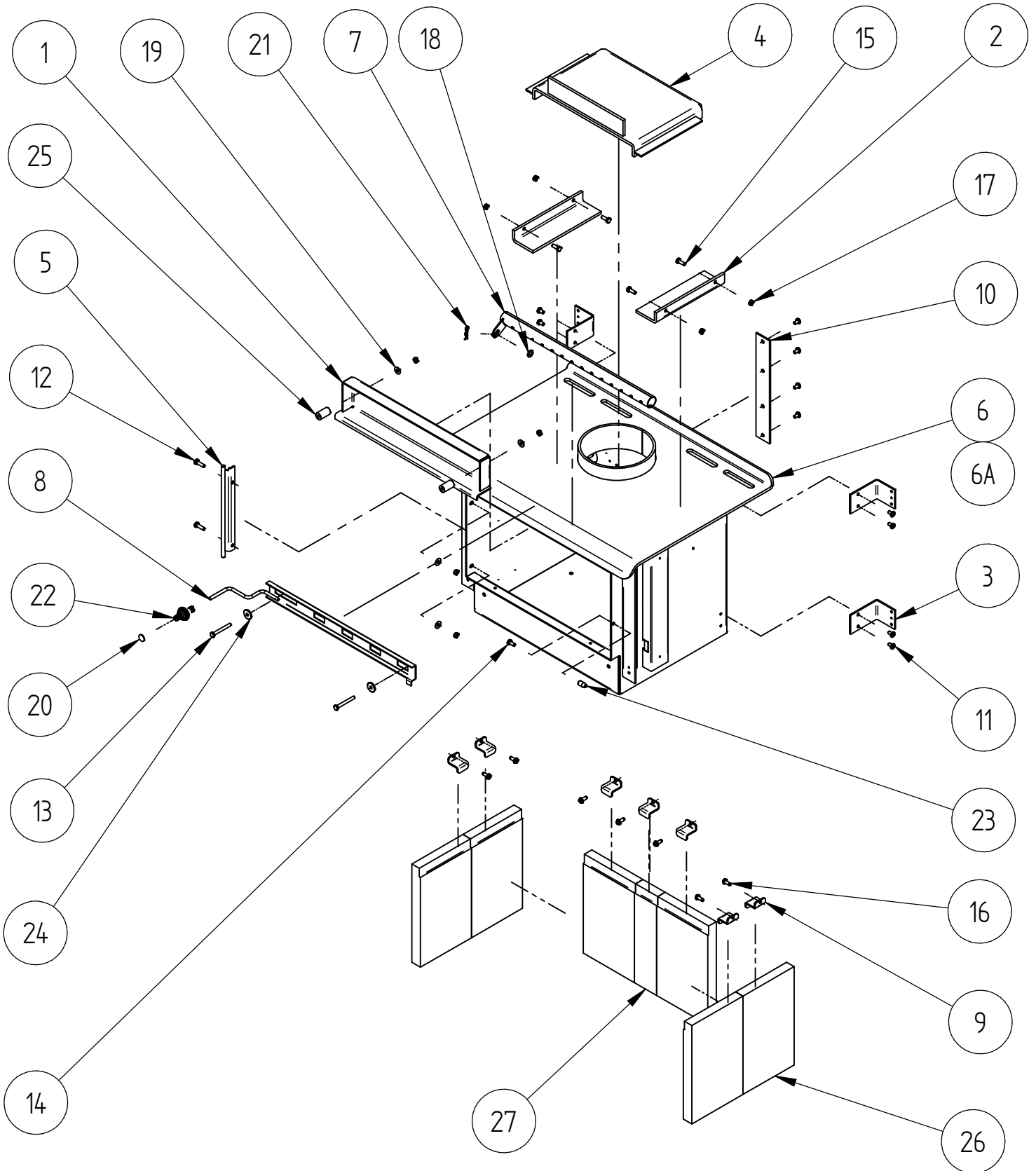


When ordering PLEASE QUOTE PART ID along with Finish Suffix (if applicable)

PANELS, DOOR AND PEDESTAL					
Item	Part ID	Model(s)		Description	Qty
		MIRHWBK	992912		
1	MICHW126	-	-	MICHW LOWER PLATE	1
2	MIR00006	V02	V02	MIR SIDE PANEL L/H	1
3	MIR00007	V02	V02	MIR SIDE PANEL R/H	1
4	MIR00012	-	-	MIR REAR HEAT SHIELD	1
5	MIR00176	-	-	MIR BASE HEAT SHIELD	1
6	MIR00179	-	-	MIR SIESMIC BRACKET	2
7	MIR00380	V02	V02	MIR REAR LEG	2
8	MIR00381	V02	V02	MIR LEFT FRONT LEG	1
9	MIR00382	V02	V02	MIR RIGHT FRONT LEG	1
10	MIRAC011	V02	V02	MIR ASH SHELF COMPLETE	1
11	MIRAC730	V02	V02	MIR FINAL DOOR COMPLETE	1
12	521045	-	-	SCREW; M6X10 PAN POZI BLK	10
13	521060	-	-	SCREW; M6X35 HEX ZP	4
14	521075	-	-	SCREW; M6X12 HEX ZP	2
15	521076	-	-	SCREW; M6X16 HEX ZP	2
16	521645	-	-	SCREW; S/T 8GX1/2" MUSH FLANGE POZI BLK	8
17	522117	-	-	NUT; HEX STD M6 ZP	6
18	522611	-	-	NUT; RIVNUT THN/SHT M6X13.5	2
19	523036	-	-	WASHER; FLAT 1/4"X5/8" BLK	6
20	526008	-	-	CLIP; STARLOCK M3	2
21	526009	-	-	CLIP; STARLOCK M4	2
22	587835	-	-	BADGE MASPORT HEATING	1
22A	MIC00740	-	-	BADGE LOGAIRE	1
23	595695	-	-	DECAL "BURN ONLY" COMBINED NZ/AUS	1
24	MIC00744	-	-	MIC HILO BADGE	1

When ordering PLEASE QUOTE PART ID along with Finish Suffix (if applicable)

# AIRSLIDE, BAFFLE, BRICKS AND FIREBOX

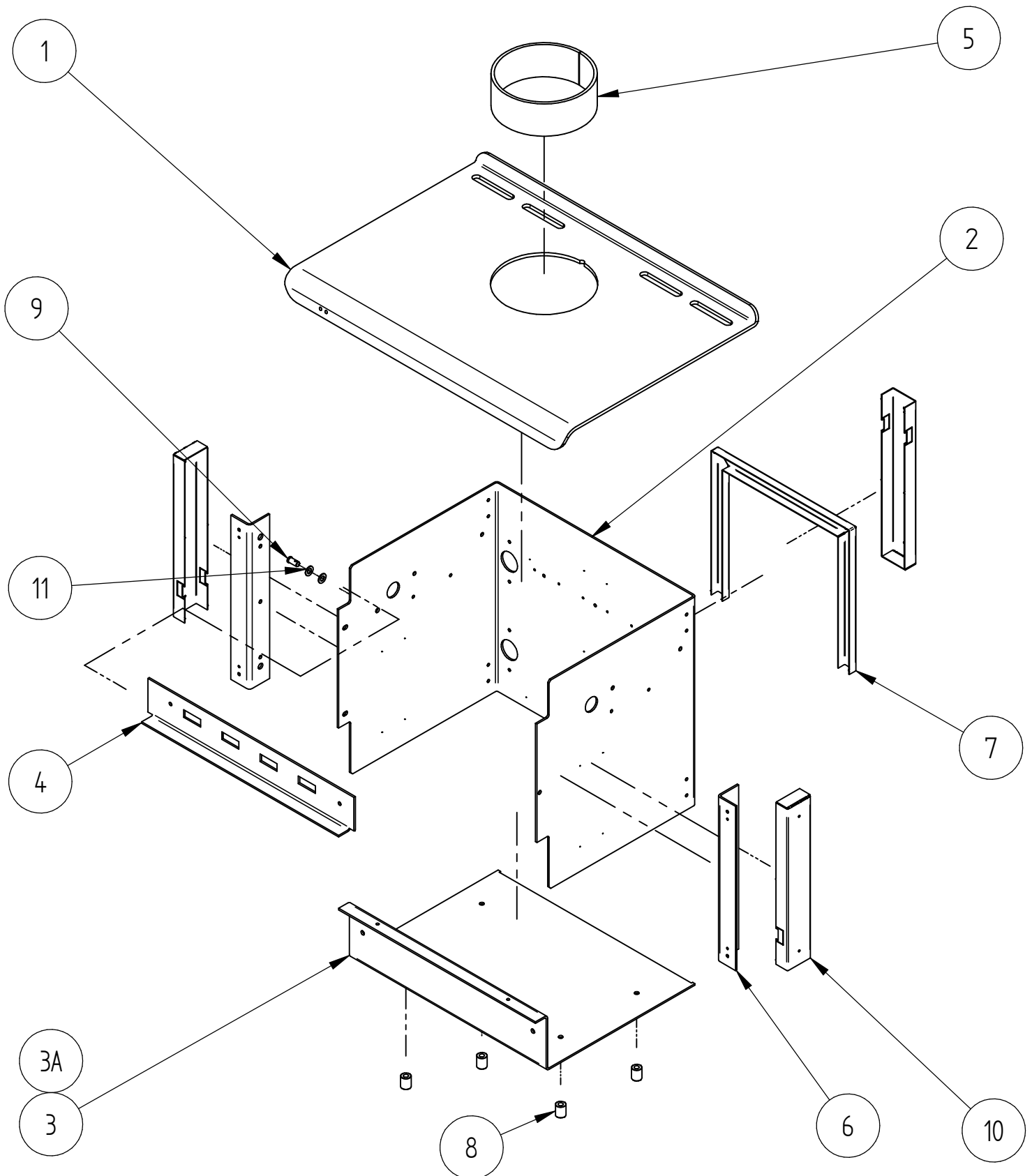


When ordering PLEASE QUOTE PART ID along with Finish Suffix (if applicable)

AIRSLIDE, BAFFLE, BRICKS AND FIREBOX					
Item	Part ID	Model(s)		Description	Qty
		MIRHWBK	992912		
1	MIC00102	-	-	MIC AIR DEFLECTOR	1
2	MIC00116	-	-	MIC BAFFLE SUPPORTS	2
3	MIC00130	-	-	MIC REAR BODY MOUNT BRKT	4
4	MICAC109	-	-	MIC BAFFLE SUB ASSEMBLY	1
5	MICAC190	-	-	MIC DOOR HINGE ASSEMBLY	1
6	MIRHWAC004	-	-	MIRHW FIREBOX ASSEMBLY	1
6A	MIRAC004	-	-	MIR FIREBOX COMPLETE	1
7	MIC00138	-	-	MIC AIR BAR ASSEMBLY	1
8	MIRHWAC036	-	-	MIRHW AIR SLIDE	1
9	HBA00118	-	-	HBA BRICK RETAINER	7
10	MIC00135	-	-	MIC WET BACK COVER PLATE	1
11	521046	-	-	SCREW; M6X10 PAN POZI ZP	12
12	521054	-	-	SCREW; M6X20 HEX ZP	2
13	521061	-	-	SCREW; M6X50 HEX ZP	2
14	521075	-	-	SCREW; M6X12 HEX ZP	1
15	521076	-	-	SCREW; M6X16 HEX ZP	4
16	521632	-	-	SCREW; S/T M6X15 HEX FLANGE NIC TAPTITE	7
17	522117	-	-	NUT; HEX STD M6 ZP	8
18	523018	-	-	WASHER; FLAT 5/16"X5/8" BLK	2
19	523036	-	-	WASHER; FLAT 1/4"X5/8" BLK	4
20	526006	-	-	CLIP; STARLOCK DOME M6	1
21	526101	-	-	CLIP; R-CLIP 1.8 DIA ST	1
22	LAR00375BK	-	-	LAREDO AIR CONTROL HANDLE	1
23	MIC00079	-	-	LOGAIRE CATCH PIN	1
24	MIC00083	-	-	LOGAIRE METRO AIR SLIDE SPACER	2
25	MIC00129	-	-	MIC AIR DEFLECTOR BUSH	2
26	MIC00354	-	-	MIC BRICK	6
27	MIC00355	-	-	MIC BRICK HALF	1

\*Optional Sale Kit

## FIREBOX DETAILS

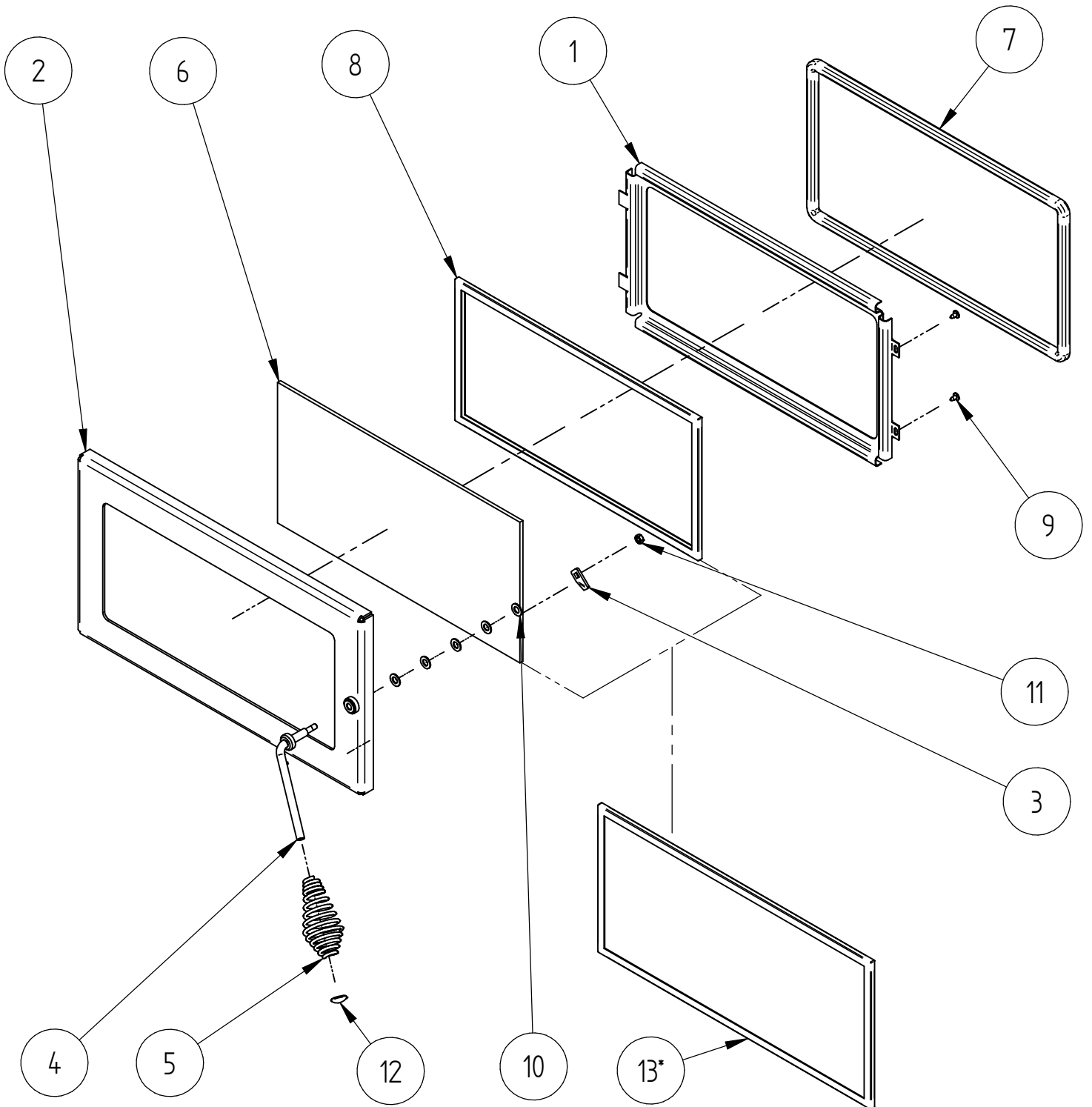


When ordering PLEASE QUOTE PART ID along with Finish Suffix (if applicable)

FIREBOX DETAILS					
Item	Part ID	Model(s)		Description	Qty
		MIRHWBK	992912		
		MIRAC004	MIRHWAC004		
1	MIR00001	-	-	MIR TOP PANEL	1
2	MIC00106	-	-	MICROS F/B WRAP	1
3	MICHW107	-N/A.-	-	MICHW FIREBOX BOTTOM	1
3A	MIC00107	-	-N/A.-	MIC FIRE BOX BOTTOM	1
4	MIC00108	-	-	MIC AIR INLET	1
5	MIC00120	-	-	MIC SPIGOT	1
6	MIR00183	-	-	MIR DOOR RIDDLE	2
7	MIR00219	-	-	MIR REAR HEAT CHANNEL	1
8	MET00129	-	-	FIREBOX BUSH	4
9	MIC00137	-	-	MIC AIRBAR PIN	1
10	MIR00123	-	-	MIR SEC AIR CHANNEL	3
11	523018	-	-	WASHER; FLAT 5/16"X5/8" BLK	2

When ordering PLEASE QUOTE PART ID along with Finish Suffix (if applicable)

# DOOR ASSEMBLY



When ordering PLEASE QUOTE PART ID along with Finish Suffix (if applicable)



DOOR ASSEMBLY					
Item	Part ID	Model(s)		Description	Qty
		MIRHWBK	992912		
		MIRAC730V02			
1	MIC00034	-	-	MIC GLASS RETAINER	1
2	MWSAC030	V02	V02	MWS DOOR FRAME COMPLETE SUB ASSEMBLY	1
3	MIC00133	-	-	MIC DOOR LATCH PLATE	1
4	LAR00373	-	-	LAREDO DOOR SPINDLE	1
5	LAR00376	-	-	LAREDO DOOR HANDLE	1
6	MIC00204	-	-	MIC GLASS	1
7	C16MMDR	-	-	DOOR ROPE 16MM X 50m ROLL (MTR)	1
8	C25MMLT	-	-	LADDER TAPE 25x3x50m ROLL (MTR)	1
9	521627	-	-	SCREW; S/T 8GX3/8" MUSH FLANGE POZI BLK	2
10	523018	-	-	WASHER; FLAT 5/16"X5/8" BLK	6
11	522117	-	-	NUT; HEX STD M6 ZP	1
12	526002	-	-	CLIP; STARLOCK DOME 3/8'	1
13*	MICAC204	-	-	MIC GLASS KIT	1

\*Optional Sale Kit

NOT ILLUSTRATED					
Item	Part ID	Model(s)		Descriptions	Qty
		MIRHWBK	992912		
1	MAEHWBRICK	-N/A.-	-	INSTRUCTION - BRICK LAYOUT	1
2	593286	-N/A.-	-	OWNER MANUAL WOODFIRES	1
3	593287	-N/A.-	-	INSTALL MANUAL WOODFIRES	1
4	MIR2M738	-N/A.-	-	MIR 2 & MIR INSTALLATION DATA SHEET	1
5	MIR20738	-	-N/A.-	MIR 2 & MIR INSTALLATION DATA SHEET	1
6	MIC00739	-	-N/A.-	LOGAIRE OPERATION MANUAL	1

SURFACE FINISH CODES FOR PANELS						
VITREOUS ENAMEL		VHT PAINT(Very High Temp)			POWDER COAT	
E01	MATT BLACK	V02	P-000022	METALLIC BLACK	P02	MATT BLACK
E02	GLOSS BLACK	V03	P-000043	CHARCOAL	P03	CHARCOAL
E03	CHARCOAL	V04	P-000081	TITANIUM	P05	SATIN BLACK
		V05	P-000051	CHARCOAL (DAM MET BLK)	P09	METTALIC BLACK
		V06	P-000052	METALLIC BLACK ZINC		
LESS FREQUENTLY OR OLD SURFACE FINISH CODES FOR PANELS						
VITREOUS ENAMEL		VHT PAINT(Very High Temp)			POWDER COAT	
E04	JASMINE	V01		SATIN BLACK HIGH TEMP	P01	BLUE/BLACK
					P04	GLOSS CHARCOAL
					P07	FLAT BLACK

When ordering PLEASE QUOTE PART ID along with Finish Suffix (if applicable)